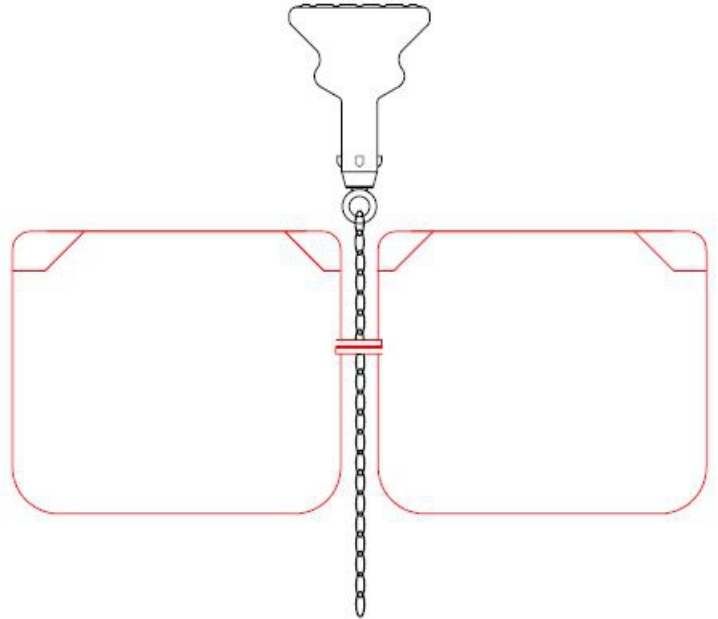


Anchor Pin for Swim Rafts

An HDPE and Stainless Steel Anchor Pin that is designed for Light Duty applications such as Swim Rafts. This Anchor Pin is designed to Anchor through the Jetfloat System in order to help keep anchors underneath the platform.



- Establish location of Anchor Pin. Thread anchor rope or chain through Lug Hole at pin location.
- Position Raft in desired location and drop Anchor.
- Be sure to allow enough length of Chain or Rope to allow for changing water levels and wave action.
- Use a quick connect or shackle to easily attach and remove the Anchor Pin from Chain or Rope.
- If using Anchor Pin in an outer corner of Jetfloat Platform, be sure to fix outer edges with Edge Fastener or other Accessory so that Jetfloat Unit remains in place.