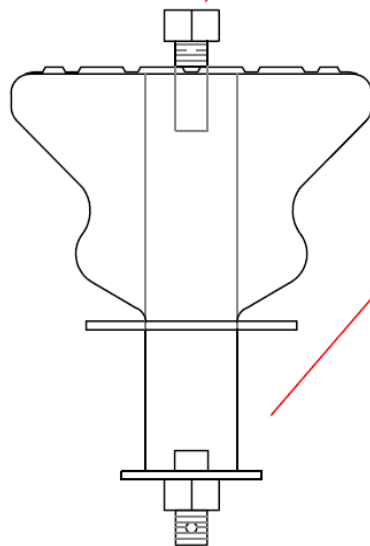


Heavy Duty Stainless Mounting Pin

This all Stainless Steel part allows for mounting where strength is required. Applications include; Slides, Towers, Winches, Structures, etc.



3/4" x 2" Stainless Bolt for Attaching
Modified Jetfloat Connecting Pin Cap
locks in like a Standard Connecting Pin.
Available in stock colors.

4 Jetfloat Units held together by Stainless
Pin and tightened in place with one piece
nut and washer.

Helpful Hints;
Since HD Pin requires tightening from below,
it is best to Pre-Assemble smaller Jetfloat
sections (4-6 units) on land and attach HD Pin.
Smaller Jetfloat sections can then be attached to
location required. Threaded Stainless bolts are
shipped with applied anti-seize compound to threads.
Make sure to add additional anti-seize when required